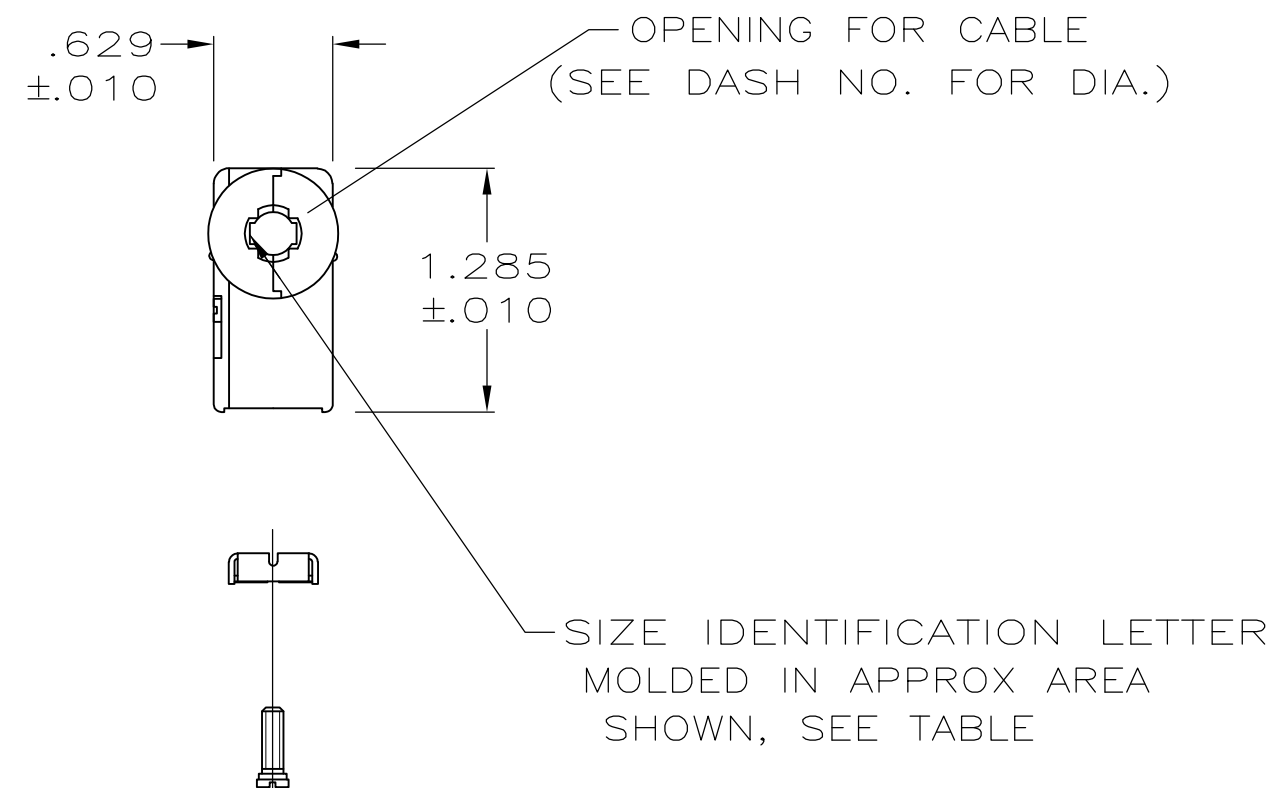
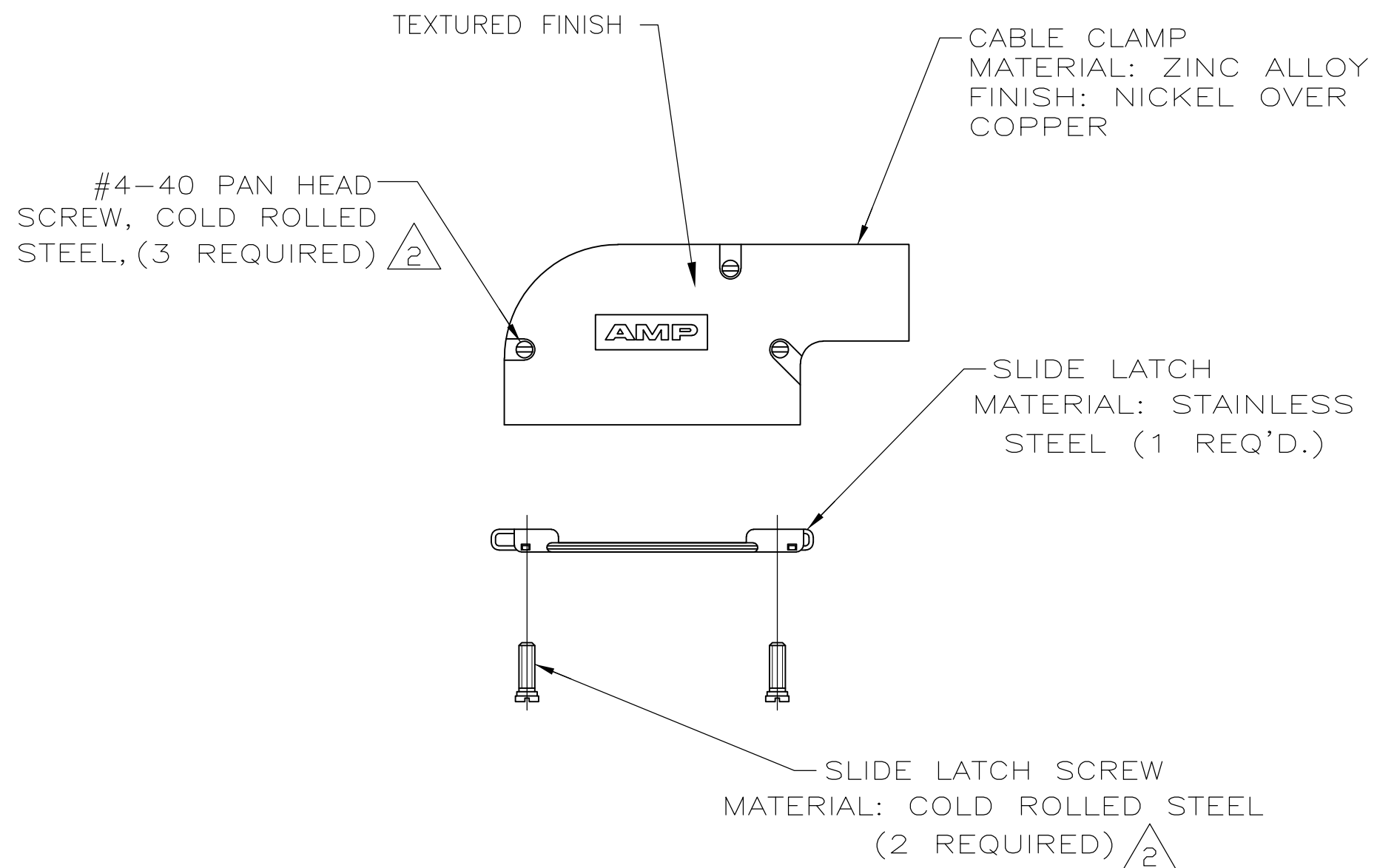
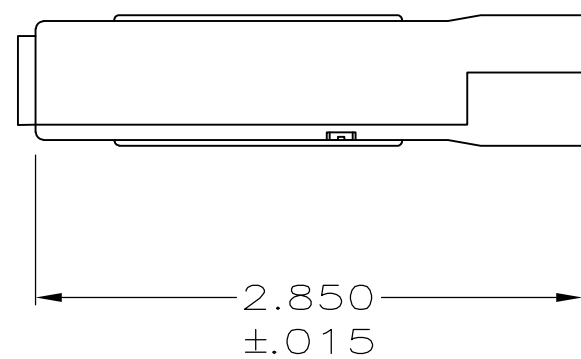


THIS DRAWING IS UNPUBLISHED. RELEASED FOR PUBLICATION
 © COPYRIGHT - By - ALL RIGHTS RESERVED.

LOC		DIST		REVISIONS			
P	LTR	DESCRIPTION		DATE	DWN	APVD	
GP	00	P		REVISED PER ECO-11-004835	11MAR11	RK HMR	

1. ALL PARTS PACKAGED UNASSEMBLED AS A UNIT KIT.
- △ ZINC PLATED .000200-.000400 THICK CLEAR CHROMATE COATING.



D	.280	5745653-5
G	.355	5745653-4
K	.430	5745653-3
M	.480	5745653-2
P	.530	5745653-1
NECK IDENT	CABLE DIA	PART NO.

THIS DRAWING IS A CONTROLLED DOCUMENT.		DWN	12AUG05	 TE Connectivity
DIMENSIONS: INCHES		CHK	12AUG05	
TOLERANCES UNLESS OTHERWISE SPECIFIED:		APVD	12AUG05	
0 PLC ± - 1 PLC ± - 2 PLC ± - 3 PLC ± .005 4 PLC ± - ANGLES ± -		NAME	M. WALMSLEY	
MATERIAL SEE CALLOUTS		FINISH	SEE CALLOUTS	PRODUCT SPEC
		WEIGHT	-	APPLICATION SPEC
		CUSTOMER DRAWING		SIZE
		SCALE	1:1	CAGE CODE
		SHEET	1 of 1	DRAWING NO.
		REV	P	RESTRICTED TO

5745653